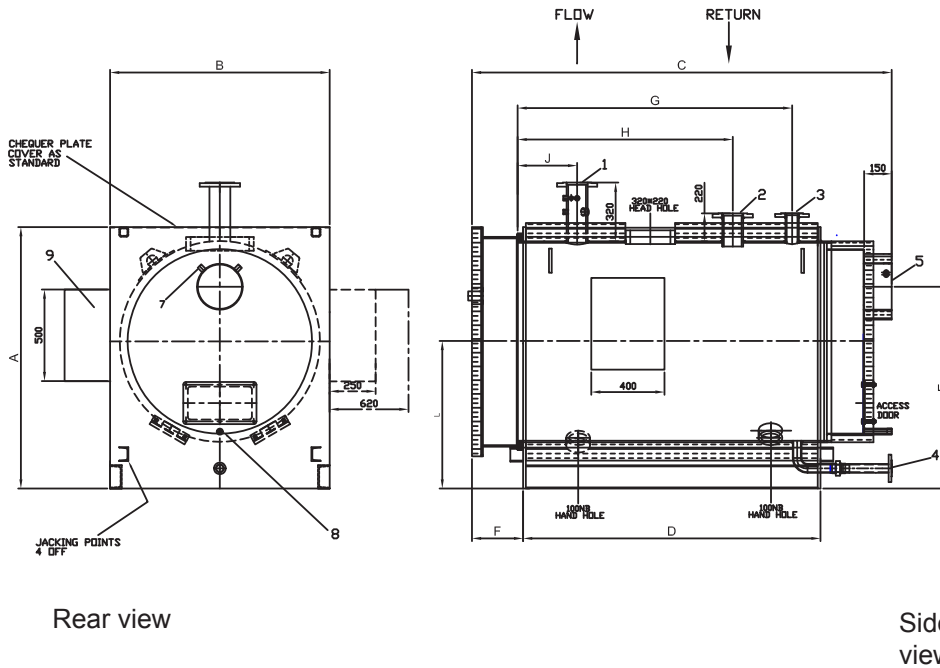


# SRH-plus Technical & Performance Details

## Dimensions and Technical Information

### SRH-plus heating boiler (models 500 to 800 & 1750 MCP to 4000 MCP)

Control panel can be mounted on left or right hand side. (Standard right hand side).



Rear view

Side elevation view

Note: The installer must ensure the condensate drain connection (8) is piped to drain via a drain trap to prevent flue gases escaping. Do not fit an isolation valve in this pipework. As well as the safety valve, the installer should provide; i) For a pressurised system - an automatic air vent. ii) For an open vented system - a vent from the flow line.

- |                           |  |
|---------------------------|--|
| 1 Flow                    | 6 Smokebox cleaning door   |
| 2 Return                  | 7 Flue gas test point  |
| 3 Safety valve connection | 8 Smokebox condensate drain  |
| 4 Hydraulic drain         | 9 Boiler control panel supplied separately for fitting and wiring by the installer |
| 5 Flue outlet             |  |

A single phase 230V supply is required for the control panel operation. Single phase burners are electrically supplied via the control panel. Three phase burners require a separate three phase isolated supply (by the installer direct to the burner, incorporating a flexible connection to allow for boiler/burner door opening. A separate control cable is fitted with wieland plug/sockets to run between the control panel and the burner. All power supplies to the boiler/burner/ other associated equipment (i.e.: gas booster, separate oil pump, etc.) should be isolated via the same switched isolator.



Please see Note 6 on page 6 regarding the MCP variants below

SRH-plus Model	kW Rating at high fire	A	B	C	D	E	F	G	H	J	L	Flow/Return flanged to BS4504 PN16	Safety valve flanged to BS4504 PN16	Drain flanged BS4504 PN16	Flue I/D	Dry Weight kg	Water Content litres
500	500	1425	1200	2335	1625	1100	325	1500	1175	325	800	100NB	25NB	40NB	250	1924	880
600	625	1477	1260	2635	1925	1150	325	1825	1475	325	800	100NB	25NB	40NB	250	2129	1132
800	800	1627	1480	2905	2195	1250	325	2000	1600	350	927	150NB	32NB	40NB	300	3050	1745
1750 MCP	1705	2100	1850	3465	2655	1600	325	2335	1985	525	1190	150NB	50NB	40NB	400	5688	3100
2000 MCP	1819	2200	1950	3572	2762	1650	325	2335	1985	525	1240	150NB	50NB	40NB	450	6075	3515
2500 MCP	2560	2440	2190	3754	2939	1880	330	2675	2075	575	1327	200NB	50NB	40NB	475	8134	5083
3000 MCP	3000	2500	2300	3812	2997	1930	330	2650	2000	800	1327	200NB	50NB	40NB	500	9310	5560
4000 MCP	3930	2660	2400	4246	3431	2195	330	3100	2637	825	1455	200NB	65NB	40NB	550	12145	6870