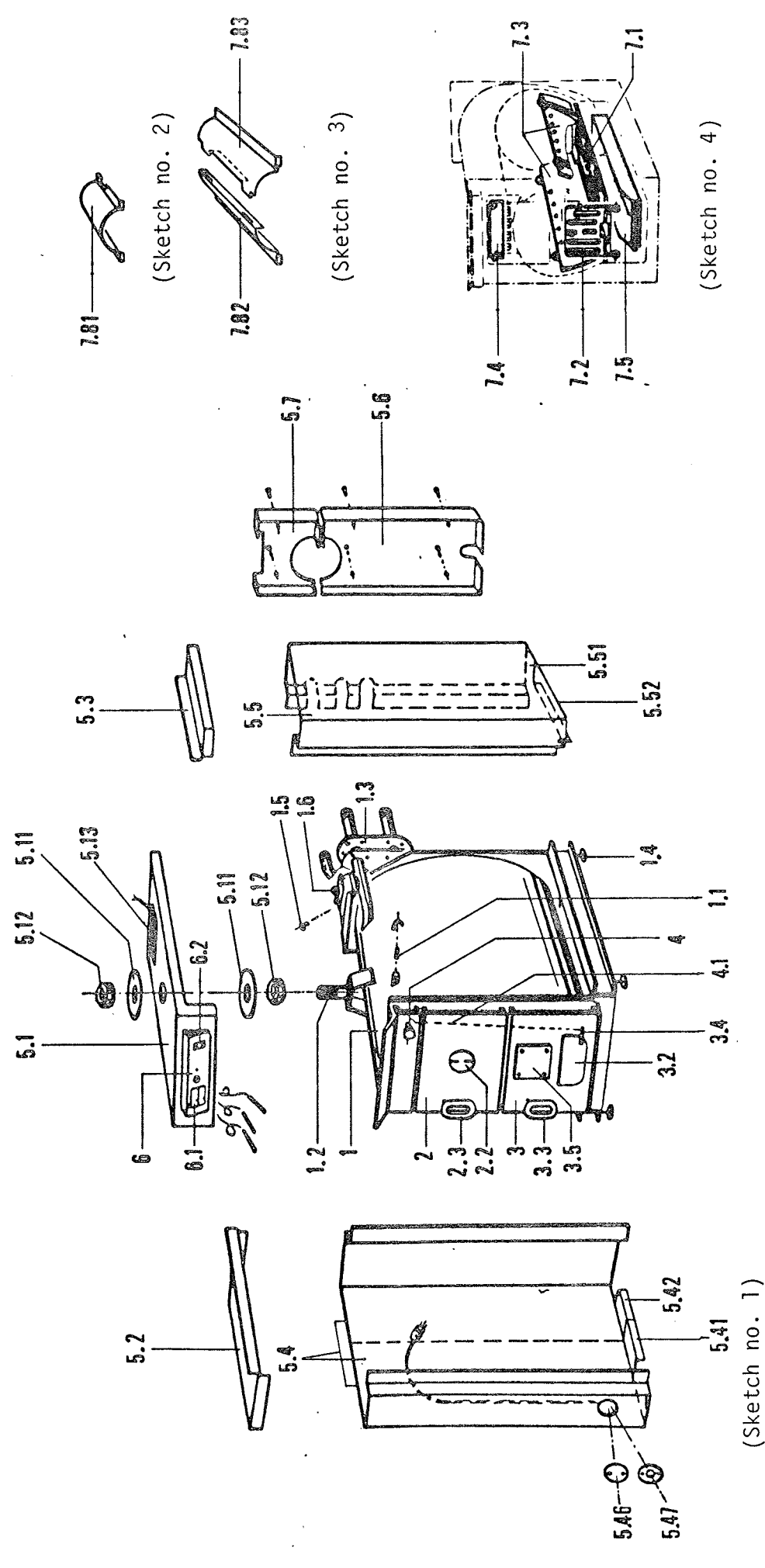


Sheet No.: 8.01.01.001	Repl. for Sheet No.: No.: 8 Page No.: 1	Date of Issue: 28.4.1981 Issued by: Heibey/sm	Technical Information Section Paragraph	Customer Service Spare Parts Part Numbers	Hoval
Photo No.:	Execution	DHW-Tank	Heating only		
Sketch No.: 1 - 4	Variolyt	Oil	Coal		
Diagram No.:	Duolyt	Oil	Coal		
Enc.	Valid for:	Oil	Coal	Wood	Wood



Sheet No.: 8.01.01.001	Repl for Sheet No.: 8	Date of Issue 28.4.1981	Technical Information Customer Service	<h1>Hoval</h1>
	Pages No.: 2	Issued by: Heibey/sm	Section Spare Parts	
			Paragraph Part Numbers	

Pos	Item	Specification (Dimensions in mm)	Boiler Size					
			22	30	40	52		
			Pcs.	Part-No.	Pcs.	Part-No.	Pcs.	Part-No.
1	Boiler		-	---	-	---	-	---
1.1	Well aquastat	3/4" x 120	1	607 670	1	607 670	1	607 670
1.1	Well aquastat	3/4" x 200	-	---	-	---	1	607 671
1.11	Spring clip to fasten capillary tube		1	234 037	1	234 037	1	234 037
1.12	Spacer for sensors		1	234 028	1	234 028	1	234 028
1.2	Jacket support	G 1"x1/4"x200	1	652 609	1	652 609	1	652 609
1.3	Adaptor flange	5/4"	1	642 475	1	642 475	1	642 475
1.31	Gasket flow/return connection	Ø 75 x 43 x 2	2	237 000	2	237 000	2	237 000
1.32	Haxagonal bolt	M 10 x 25	8	222 251	8	222 251	8	222 251
1.33	Haxagonal nut	M 10	8	228 024	8	228 024	8	228 024
1.4	Levelling plates		4	634 366	4	634 366	4	634 366
1.5	Filler plug flue connection		1	237 209	1	237 209	1	237 209
1.6	Flue draft regulator manuel		1	652 426	1	642 382	1	642 393
1.61	Cover plate		1	652 427	1	642 383	1	642 394
1.62	Flap		1	652 090	1	652 092	1	652 094
1.63	Pointer		1	519 001	1	529 001	1	519 001
1.64	Ball handle	B 22 x M 10	1	233 000	1	233 000	2	233 000
1.65	Haxagonal nut	M 6 x 16	1	222 261	1	222 261	1	222 261
1.66	Spring washer	B 6,4	1	229 230	1	229 230	1	229 230
1.67	Plug	G 1/4"	1	235 043	1	235 043	1	235 043
1.68	Gasket	3 x 120 x 240	1	519 987	-	---	1	519 708
		3 x 120 x 287	-	---	1	519 693	1	519 693
		3 x 120 x 319	-	---	-	---	-	---

Sheet No.: 8.01.01.001	Repl for Sheet No.: 8	No. of Pages 8	Date of Issue 28.4.1981	Technical Information	Customer Service
	Pages No.: 3	Issued by: Heibey/sm		Section	Spare Parts
				Paragraph	Part Numbers

HOVAL

Pos	Item	Specification (Dimensions in mm)	Boiler Size						
			22	30	40	52			
			Pcs.	Part-No.	Pcs.	Part-No.	Pcs.	Part-No.	
2.	Filldoor		1	652 316		652 320		652 320	652 324
2.1	Filldoor complete	20 x 20 x 1122	1	518 228		---		---	---
2.11	Sealing rope	20 x 20 x 1280		---	1	517 922	1	517 922	---
		20 x 20 x 1775		---		---		---	---
2.12	Hinge pin	∅ 6 x 20	2	232 317	2	232 317	2	232 317	518 960
2.2	Secondary air inlet		1	401 032	1	402 032	1	401 032	232 317
2.3	Door handle		1	233 034	1	233 034	1	233 034	401 032
2.31	Round head screw with shaft	M 8 x 24/9 vz	1	515 083	1	515 083	1	515 083	233 034
2.32	Locking bolt	M 10 x 27	1	515 025	1	515 025	1	515 025	515 083
2.33	Hexagonal nut	M 10 x 0,5	1	228 071	1	228 071	1	228 071	515 025
2.34	Spring washer	B 10	1	229 232	1	229 232	1	229 232	228 071
3	Ashpit door								229 232
3.1	Ashpit door		1	652 318	1	652 322	1	652 322	652 326
3.11	Sealing rope	20 x 20 x 1106	1	518 232	1	---	1	---	---
		20 x 20 x 1258		---	1	517 919	1	517 919	---
		20 x 20 x 1385		---		---		---	---
3.12	Hinge pin	∅ 6 x 20	1	232 317	1	232 317	1	232 317	518 964
3.2	Primary draft flap	10 x 15 x 370	1	518 244	1	514 600	1	514 600	232 317
3.21	Sealing rope	10 x 15 x 480	1	518 245	1	---	1	---	514 600
		∅ 8 x 20	2	232 376	2	232 376	2	232 376	---

Sheet No.: 8.01.01.001	Repl for Sheet No.: 8	Date of Issue 28.4.1981	Technical Information Customer Service	<h1>Hoval</h1>
	Pages No.: 5	Issued by: Heibey/sm	Section Spare Parts	
			Paragraph Part Numbers	

Pos	Item	Specification (Dimensions in mm)	Boiler Size					
			22	30	40	52		
			Pcs.	Part-No.	Pcs.	Part-No.	Pcs.	Part-No.
5.	Boiler jacket		-	---	-	---	-	---
5.1	Top centre panel	Standard exec.	1	518 939	1	518 939	1	518 942
		Stud hole eccentric	-	---	1	519 721	1	519 722
5.11	Collar	P 4 5/4"	2	518 186	2	518 186	2	518 186
5.12	Nuts		2	235 141	2	235 141	2	235 141
5.13	Terminal cover	B 3,5 x 9,5	1	518 305	1	518 305	1	518 305
5.14	Sheet metal screw		2	225 003	2	225 003	2	225 003
5.15	"Hoval" lettering		1	422 034	1	422 034	1	422 034
5.16	"Variolyt" lettering		1	422 031	1	422 031	1	422 031
5.17	Spring clip		4	228 097	4	228 097	4	228 097
5.2	Top side panel left		1	652 031	1	652 031	1	652 051
5.3	Top side panel right		1	652 034	1	652 034	1	652 052
5.4	Side panel left		1	518 905	1	518 908	1	518 911
5.41	Side panel left, front section		-	---	-	---	-	---
5.42	Side panel left, rear section		-	---	-	---	-	---
5.43	Sheet metal screw		-	---	-	---	-	---
5.44	Face washer	B 4,8 x 45	-	---	-	---	-	---
5.45	Tinnerman clip	Ø 5,3 / 15 x 3,2	-	---	-	---	-	---
5.46	Blank cover	F. B 4,8	-	---	-	---	-	---
5.47	Cover for Conduit	D 65 x 1	1	520 158	1	520 158	1	520 158
5.48	Sheet metal screw	D 65 x 1 x 21	1	518 729	1	518 729	1	518 729
5.5	Side panel right	B 3,5 x 9,5	2	225 003	2	225 003	2	225 003
5.51	Side panel right, front section		-	---	-	---	-	---
5.52	Side panel right, rear section		-	---	-	---	-	---

Sheet No.: 8.01.01.001	Repl for Sheet No.: No.:	No. of Pages 8 Pages No.: 8	Date of Issue 28.4.1981 Issued by: Heibey/sm	Technical Information Customer Service Section Spare Parts Paragraph Part Numbers	Hoval
---------------------------	-----------------------------	--------------------------------------	---	--	--------------

Pos	Item	Specification (Dimensions in mm)	Boiler Size							
			22	30	40	52	22	30	40	52
			Pcs.	Part-No.	Pcs.	Part-No.	Pcs.	Part-No.	Pcs.	Part-No.
7.85	Ceramic plate	25 x 250 x 550	-	----	-	----	1	519 082	-	----
7.86	Hexagonal nut with collar	25 x 291 x 645	-	----	-	----	-	----	1	519 083
7.87	Threaded pin	M 10 x 1,5	1	228 119	1	228 119	1	228 119	1	228 119
		M 10 x 60	1	431 096	1	431 096	1	431 096	1	431 096